

CAST Y TYPE STRAINER SERIES 112 (EN/ASME)

FEATURES

Y type Strainer with RF flanges according to EN 1092 or ASME / ANSI B16.5. Cast iron, carbon steel or stainless steel construction. Straight flow design to install horizontally or vertically. Cylindrical screen with different filtration options. Threaded drain connection. Particle filtered by the pass of fluid through the screen. Easy removal of screen for cleaning and maintenance. Suitable for all industrial process and fluids compatible with the construction materials.

DESIGN

SERIES

SERIES 112 EN
SERIES 112 ASME

SIZES

DN15 up to DN250
½" up to 10"

PRESSURES

PN16 and PN40
Class 150# & Class 300#

END CONNECTIONS

RF flanges according to EN 1092
RF according to ASME/ANSI B16.5

PRESSURE - TEMPERATURE RATINGS

Cast iron

PN16 16 bar @ 50°C / 9,6 bar @ 300°C

Carbon steel

PN16 16 bar @ 50°C / 9,5 bar @ 400°C
PN40 40 bar @ 50°C / 23,8 bar @ 400°C
Class 150# 19,6 bar @ 38°C / 6,5 bar @ 400°C
Class 300# 51,1 bar @ 38°C / 34,7 bar @ 400°C

Stainless steel

PN16 16 bar @ 50°C / 10,9 bar @ 400°C
PN40 40 bar @ 50°C / 27,4 bar @ 400°C
Class 150# 19 bar @ 38°C / 6,5 bar @ 400°C
Class 300# 49,6 bar @ 38°C / 29,4 bar @ 400°C

TESTS

According to EN 12266-1

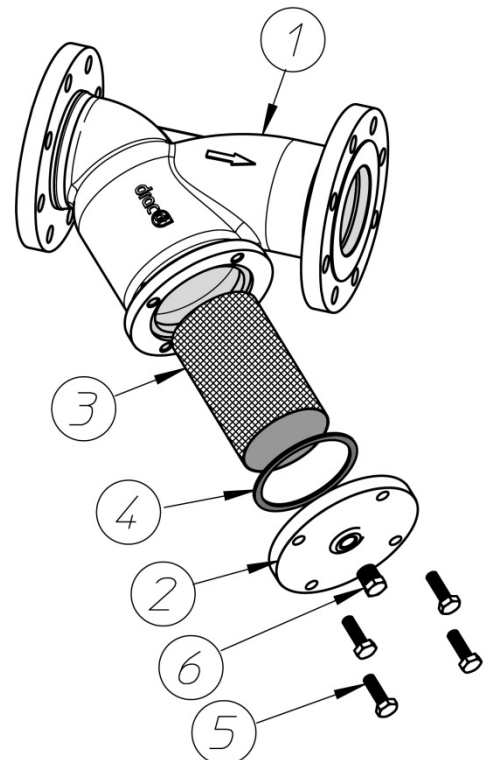
CATEGORY (according to Directive 97/23/EC)

See Installation and Maintenance Instructions **IMI 112/113**

Marked



Other pressures and sizes available upon request.



PARTS AND MATERIALS

Item	Description	(*) Materials		
		Cast Iron	Carbon steel	Stainless steel
1	Body	GJL-250	1.0619 (WCB)	1.4408 (CF8M)
2	Cover	GJL-250	1.0619 (WCB)	1.4408 (CF8M)
3	Screen	1.4301	1.4301 (304)	1.4401 (316)
4	Gasket	Graphite		
5	Bolt	8.8	8.8	A4
6	Drain plug	Carbon steel	Carbon steel	Stainless steel

(*) Other materials available upon request.

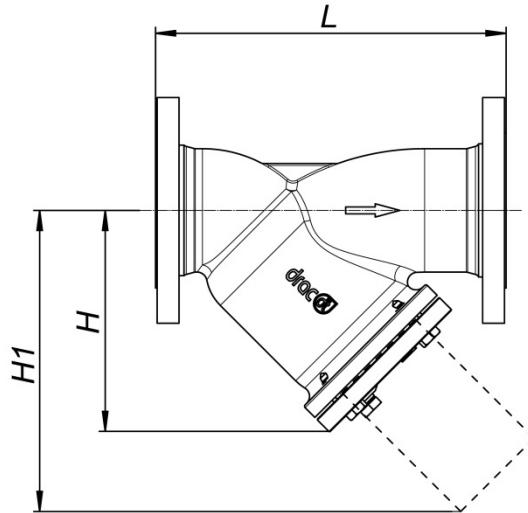
DRAC ENGINEERS
desenvolupaments tècnics

Tel.: (+34) 931 145 909

e-mail: info@dracdt.com



DIMENSIONS



Size DN – NPS	L	H	H1	Drain		Ratio of areas (*)	Weight (Kg)			
				Cast Iron	CS & SS		PN16	Class 150#	PN40	Class 300#
15 – ½"	130	90	135	¾"G	M16	1 : 5,19	2,3	2,3	2,5	2,5
20 – ¾"	150	100	160	¾"G	M16	1 : 4,47	3,2	3,2	3,4	3,4
25 – 1"	160	115	180	¾"G	M16	1 : 3,56	4,4	4,4	4,6	4,6
32 – 1 ¼"	180	135	215	¾"G	M16	1 : 2,95	5,2	5,2	5,4	5,5
40 – 1 ½"	200	150	240	1"G	M27	1 : 2,74	7,5	7,6	7,8	7,9
50 – 2"	230	160	250	1"G	M27	1 : 2,27	9,2	9,2	9,5	9,6
65 – 2 ½"	290	180	285	1"G	M27	1 : 1,96	14	15	18	19
80 – 3"	310	215	330	1"G	M27	1 : 1,79	17	18	21	23
100 – 4"	350	240	395	1 ½"G	M33	1 : 1,80	27	30	33	35
125 – 5"	400	280	455	1 ½"G	M33	1 : 1,70	39	42	48	50
150 – 6"	480	330	525	1 ½"G	M33	1 : 1,70	58	60	70	75
200 – 8"	600	405	650	1 ½"G	M33	1 : 1,56	113	115	127	130
250 – 10"	730	540	870	1 ½"G	M33	1 : 1,57	225	230	240	246

Dimensions in mm.

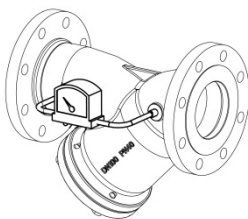
(*) Standard screen

SCREENS

Standard screen opening: Ø0,8 mm up to DN50 , Ø1,2 mm from DN65 up to DN100 and Ø1,5 mm from DN125 up to DN250

Other options: Perforated plate opening Ø1,5mm, Ø3mm, Ø5mm y Ø8mm or wire mesh with 0,5mm, 0,3mm, 0,1mm and 0,04 mm opening size.

OPTIONS



Pressure connections and pressure drop gauge or indicator



Jacketed strainer



Threaded ends (see SERIES 111)



Fabricated Strainers for bigger sizes than DN250 (see SERIES 114 and 115)

Note: For further technical information, pressure drop, etc. please consult our data sheet **DAT 112/113**