

FABRICATED Y TYPE STRAINER

SERIES 114

FEATURES

Fabricated Y type Strainer with RF flanged connections according to EN/DIN or ASME/ANSI standards. Bolted cover and cylindrical screen in stainless steel with different filtration options. Threaded drain connection and optionally differential pressure connections. Straight flow design to install horizontally or vertically. Particle filtered by the pass of fluid through the screen. Easy removal of basket screen for cleaning and maintenance. Suitable for all industrial process and fluids compatible with the construction materials.

DESIGN

EN 13445 and ASME Code Sect. VIII div. 1

SIZES

DN125 up to DN600
5" up to 24"

PRESSURES

PN16 (optionally PN10)
Class 150#

END CONNECTIONS

RF flanges according to EN 1092-1 (PN16)
RF flanges according to ASME B16.5 (Class 150#)

PRESSURE - TEMPERATURE RATINGS

Carbon steel

PN16 16 bar @ 50°C / 9,5 bar @ 400°C
Class 150# 19,6 bar @ 38°C / 6,5 bar @ 400°C

Stainless steel (1.4404 or 316L)

PN16 16 bar @ 50°C / 10,9 bar @ 400°C
Class 150# 19 bar @ 38°C / 6,5 bar @ 400°C

TESTS

According to EN 12266-1 (Optional ASME B31.1)

CATEGORY (according to Directive 97/23/EC)

See Installation and Maintenance Instructions **IMI 114/115**

Marked

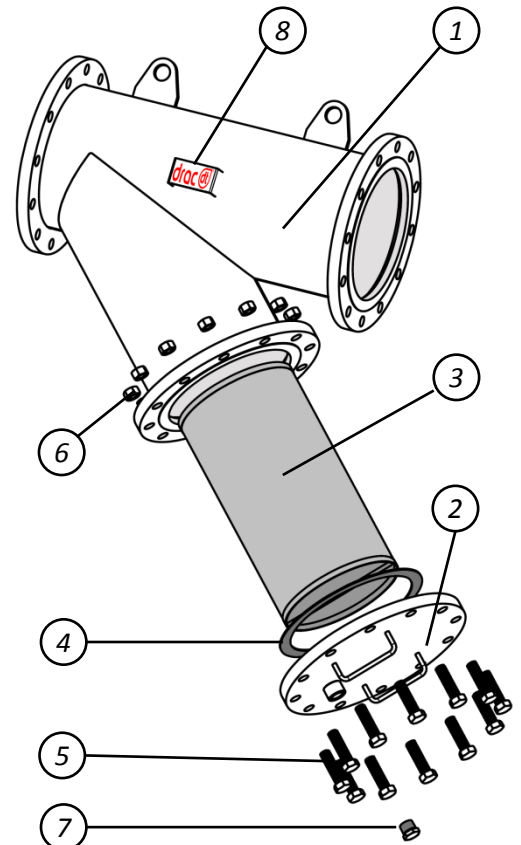


Other pressures and sizes available upon request.



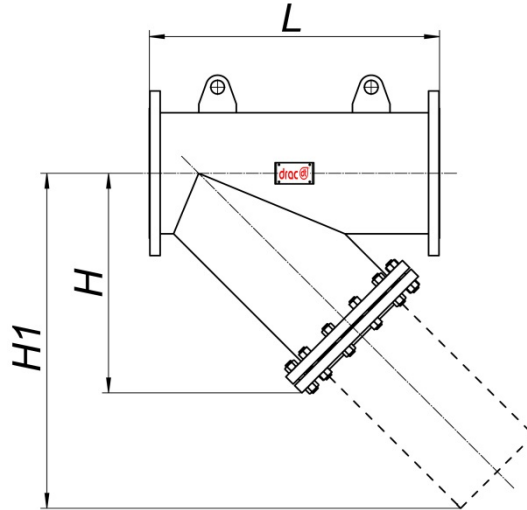
PARTS AND MATERIALS

Pos.	Description	(*) Materials		EN / DIN ASME / ASTM
		Carbon steel	Stainless steel	
1	Body	P250GH/P265GH A106B/A105/A516-70	1.4306 A182/A240 F304L	1.4404 A182/A240 F316L
2	Cover	P250GH/P265GH A105	1.4306 A182/A240 F304L	1.4404 A182/A240 F316L
3	Screen	1.4306 ASTM A182 F304L		1.4404 ASTM A182 F316L
4	Gasket (**)	Fiber		
5	Bolt or Stud	8.8 A193 B7	A2 A193 B8	A4 A193 B8M
6	Nut	10 A194 2H	A2 A194 8	A4 A194 8M
7	Drain plug	Carbon steel	Stainless steel	
8	Nameplate	Stainless steel		



(*) Other materials available upon request. (**) Optional: Spirometallic graphite or PTFE gasket.

DIMENSIONS



Size DN - NPS	L	H	H1	Drain	Ratio of areas (*)	Weight (Kg)	
						PN40	300#
DN250 - 10"	730	530	900	1" NPT	1 : 1,90	189	190
DN300 - 12"	850	630	1000	1 1/2" NPT	1 : 1,94	235	245
DN350 - 14"	980	770	1200	1 1/2" NPT	1 : 1,98	340	355
DN400 - 16"	1100	830	1350	1 1/2" NPT	1 : 1,90	396	405
DN450 - 18"	1200	920	1500	1 1/2" NPT	1 : 1,85	485	504
DN500 - 20"	1300	1000	1650	2" NPT	1 : 1,77	545	560
DN600 - 24"	1450	1200	1800	2" NPT	1 : 1,64	698	710

Dimensions in mm.

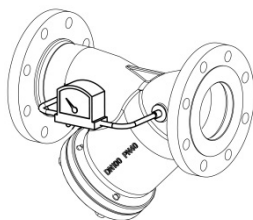
(*) Standard screen opening.

SCREENS

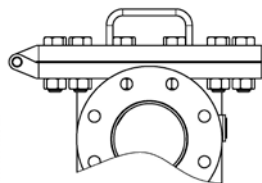
Standard screen opening: Ø1,5 mm up to DN600 (24")

Other options: Perforated plate opening Ø1,5mm, Ø3mm, Ø5mm and Ø8mm or wire mesh with 0,5mm, 0,3mm, 0,1mm and 0,04 mm opening size.

OPTIONS



Differential pressure connections and pressure drop gauge or indicator



Hinged cover



Jacketed Strainer

Drain connection
DRAC DT SERIES 246 & 226
with Gate or Globe Valve



Davit system

DRAC DT engineering: Our Fabricated Y type Strainers can be custom designed to suit the requirements of any installation or performance level.

Note: For further technical information, pressure drop, etc. please consult our data sheet **DAT 114/115**