

# FABRICATED Y TYPE STRAINER

# SERIES 115

## FEATURES

Fabricated Y type Strainer with RF flanged connections according to EN/DIN or ASME/ANSI standards. Bolted cover and cylindrical screen in stainless steel with different filtration options. Threaded drain connection and optionally differential pressure connections. Straight flow design to install horizontally or vertically. Particle filtered by the pass of fluid through the screen. Easy removal of basket screen for cleaning and maintenance. Suitable for all industrial process and fluids compatible with the construction materials.

**DISIGN**  
EN 13445 and ASME Code Sect. VIII div. 1

**SIZES** DN125 up to DN600  
5" up to 24"

**PRESSURES** PN40  
Class 300#

**END CONNECTIONS**  
RF flanges according to EN 1092-1 (PN40)  
RF flanges according to ASME B16.5 (Class 300#)

**PRESSURE - TEMPERATURE RATINGS**

**Carbon steel**  
PN40 40 bar @ 50°C / 23,8 bar @ 400°C  
Class 300# 51,1 bar @ 38°C / 34,7 bar @ 400°C

**Stainless steel (1.4404 or 316L)**  
PN40 40 bar @ 50°C / 27,4 bar @ 400°C  
Class 300# 49,6 bar @ 38°C / 29,4 bar @ 400°C

**TESTS**  
According to EN 12266-1 (Optional ASME B31.1)

**CATEGORY (according to Directive 97/23/EC)**  
See Installation and Maintenance Instructions **IMI 114/115**

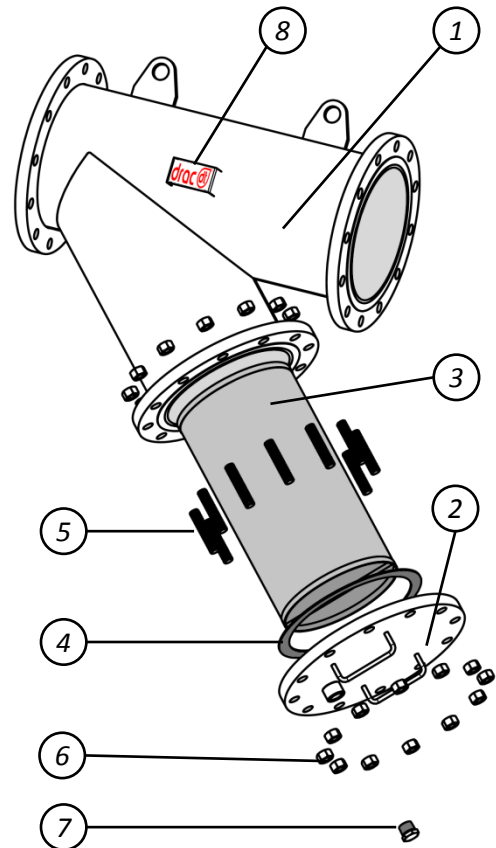
Marked

*Other pressures and sizes available upon request.*



## PARTS AND MATERIALS

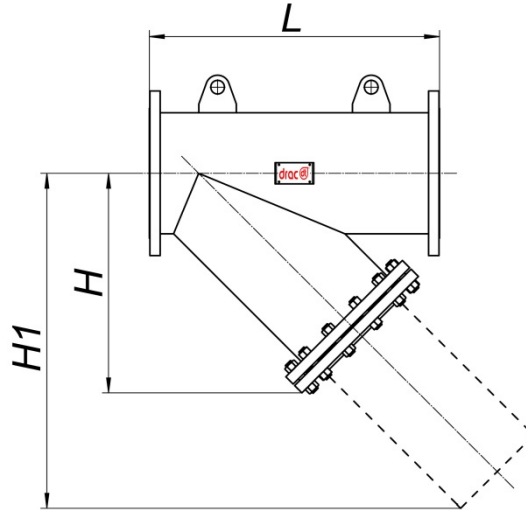
Pos.	Description	(*) Materials		EN / DIN ASME / ASTM
		Carbon steel	Stainless steel	
1	Body	P250GH/P265GH A106B/A105/A516-70	1.4306 A182/A240 F304L	1.4404 A182/A240 F316L
2	Cover	P250GH/P265GH A105	1.4306 A182/A240 F304L	1.4404 A182/A240 F316L
3	Screen	1.4306 ASTM A182 F304L		1.4404 ASTM A182 F316L
4	Gasket (**)	Spirometallic Graphite		
5	Bolt or Stud	8.8 A193 B7	A2 A193 B8	A4 A193 B8M
6	Nut	10 A194 2H	A2 A194 8	A4 A194 8M
7	Drain plug	Carbon steel	Stainless steel	
8	Nameplate	Stainless steel		



(\*) Other materials available upon request.

(\*\*) Optional: Fiber or PTFE gasket.

**DIMENSIONS**



Size DN - NPS	L	H	H1	Drain	Ratio of areas (*)	Weight (Kg)	
						PN40	300#
DN250 - 10"	750	532	900	1" NPT	1 : 1,90	265	283
DN300 - 12"	900	634	1000	1" NPT	1 : 1,94	350	375
DN350 - 14"	1030	775	1200	1 1/2" NPT	1 : 1,98	495	532
DN400 - 16"	1150	836	1350	1 1/2" NPT	1 : 1,90	578	620
DN450 - 18"	1250	938	1500	1 1/2" NPT	1 : 1,85	664	715
DN500 - 20"	1380	1010	1650	2" NPT	1 : 1,77	735	788
DN600 - 24"	1550	1210	1800	2" NPT	1 : 1,64	945	1014

Dimensions in mm.

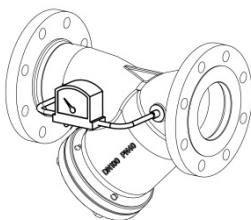
(\*) Standard screen opening.

**SCREENS**

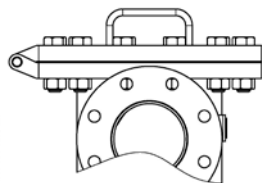
Standard screen opening: Ø1,5 mm up to DN600 (24")

Other options: Perforated plate opening Ø1,5mm, Ø3mm, Ø5mm and Ø8mm or wire mesh with 0,5mm, 0,3mm, 0,1mm and 0,04 mm opening size.

**OPTIONS**



Differential pressure connections and pressure drop gauge or indicator



Hinged cover



Jacketed Strainer

Drain connection  
DRAC DT SERIES 246 & 226  
with Gate or Globe Valve



Davit system

**DRAC DT engineering: Our Fabricated Y type Strainers can be custom designed to suit the requirements of any installation or performance level.**

Note: For further technical information, pressure drop, etc. please consult our data sheet **DAT 114/115**