

FORGED Y TYPE STRAINER

SERIES 116

FEATURES

Y type Strainer with conventional port (reduced) or full port, NPT threaded ends or SW welding ends, optionally BW or flanged ends. Forged carbon steel or stainless steel construction. Straight flow design to install horizontally or vertically. Cylindrical screen with different filtration options.

Particle filtered by the pass of fluid through the screen. Easy removal of screen for cleaning and maintenance. Suitable for all industrial process and fluids compatible with the construction materials.

DESIGN

According to ASME B16.34

SIZES

½" up to 2"

PRESSURES

Class 800# and Class 1500#

END CONNECTIONS

NPT according to ASME B1.20.1 or SW according to ASME B16.11

OPTIONS

BW according to ASME B16.25; RF flanges acc. to ASME B16.5 or EN 1092

PRESSURE - TEMPERATURE RATINGS (standard materials)

Carbon steel ASTM A-105

Class 800# 138 bar @ 38°C / 65 bar @ 425°C

Class 1500# 255 bar @ 38°C / 143 bar @ 425°C

Stainless steel ASTM A182 F316

Class 800# 132 bar @ 38°C / 82.5 bar @ 425°C

Class 1500# 248 bar @ 38°C / 145 bar @ 425°C

TESTS

According to API 598 and BS 6755

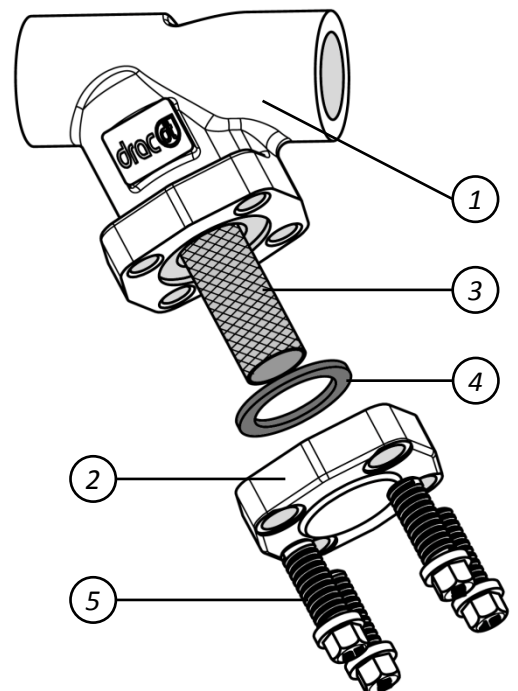
CATEGORY (according to Directive 97/23/EC)

Optionally marked



See Installation and Maintenance Instructions *IMI 116*

Other pressures and sizes available upon request.



PARTS AND MATERIALS

Item	Description	(*) Materials		
		Carbon steel	Stainless steel	
1	Body	ASTM A105	ASTM A182 F304	ASTM A182 F316
2	Cover	ASTM A105	ASTM A182 F304	ASTM A182 F316
3	Screen	ASTM A240 F304		ASTM A240 F316
4	Gasket	Spirometallic Graphite		
5	Bolt	ASTM A193 B7	ASTM A193 B8	ASTM A193 B8M

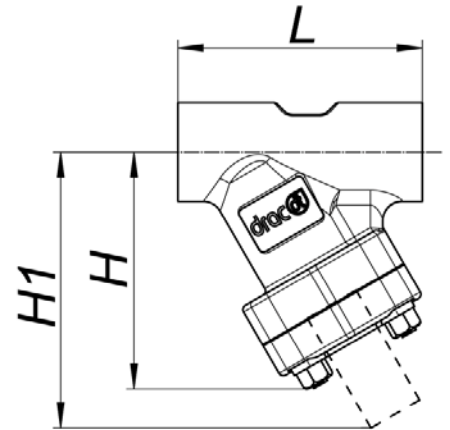
(*) Other materials according to API-600 or EN-10213

Options in: LF2, F11, F22, F9 or F91

DIMENSIONS

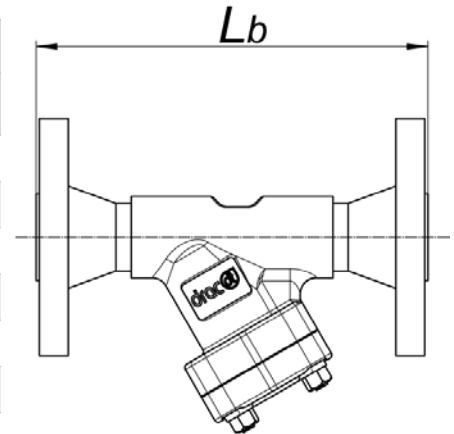
NPT, SW and BW END CONNECTIONS

Size	Class 800#					Class 1500#				
	Convent. port Ø	L	H	H1	Weight (Kg)	Convent. port Ø	L	H	H1	Weight (Kg)
1/2"	10	100	95	110	2,1	10	100	95	110	2,2
3/4"	13	100	95	110	2,1	13	120	110	125	3,2
1"	18	120	110	125	3,2	18	140	125	140	4,6
1 1/4"	23	140	125	140	4,5	23	140	130	150	6,2
1 1/2"	28	140	130	150	6	28	170	160	190	10,3
2"	33	170	160	190	10,1	33	200	175	205	20,9



FLANGED END CONNECTIONS

Size	Class 150#		Class 300#		Class 600#	
	Conventional port	Lb	Weight (Kg)	Lb	Weight (Kg)	Lb
1/2"	185	3,1	195	3,7	195	3,7
3/4"	190	3,5	200	4,6	200	4,6
1"	210	5,3	220	6,4	220	6,4
1 1/4"	230	7,2	245	8,6	250	9,7
1 1/2"	240	9,5	250	11,8	260	12,5
2"	270	15,3	280	17,0	290	19,4



Dimensions in mm.

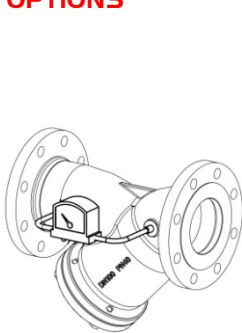
EN / DIN flanges upon request.

SCREENS

Standard screen opening: Ø1 mm

Other options: Perforated plate opening Ø1,5mm, Ø3mm and Ø5mm or wire mesh with 0,5mm, 0,3mm, 0,1mm and 0,04 mm opening size.

OPTIONS



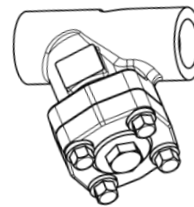
Pressure connections and pressure drop gauge or indicator



Jacketed strainer



Drain with DRAC DT SERIES 246 Gate Valve



Drain plug



High pressure Class 2500# (6000# acc. to B16.11) DRACDT SERIES 117 Forged Y type Strainer

Note: For further technical information, pressure drop, etc. please consult our data sheet **DAT 116**