

Y TYPE STRAINER THREADED ENDS

SERIES III

FEATURES

Y type Strainer with BSP threaded ends according to ISO7/1 Rp (BS 21). Carbon steel or stainless steel construction and stainless steel screen. Straight flow design to install horizontally or vertically. Cylindrical screen with different filtration options. NPT threaded ends or drain connection available as options.

Particle filtered by the pass of fluid through the screen. Easy removal of basket screen for cleaning and maintenance. Suitable for all industrial process and fluids compatible with the construction materials.

DESIGN

SIZES

From ¼" up to 2"

PRESSURES

PN40

END CONNECTIONS

BSP threaded ends according to ISO7/1 Rp (BS 21)

OPTIONS

NPT threaded ends according to ASME/ANSI B1.20.1

PRESSURE - TEMPERATURE RATINGS

Carbon steel

PN40 40 bar @ 50°C / 35,2 bar @ 150°C

Stainless steel

PN40 40 bar @ 50°C / 36,3 bar @ 150°C

TESTS

According to EN 12266-1 (Optional API 598)

CATEGORY (according to Directive 97/23/EC)

See Installation and Maintenance Instructions **IMI 111**

Marked

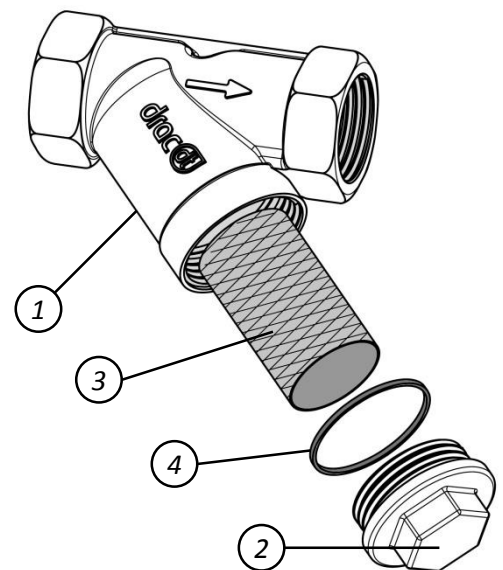


Other pressures and sizes available upon request.

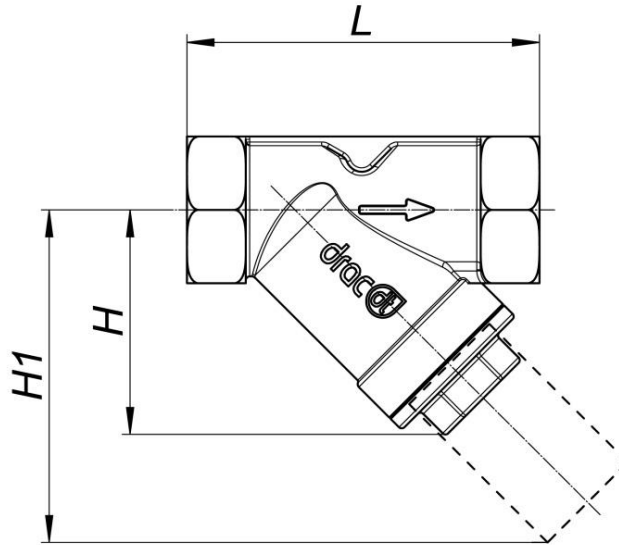


PARTS AND MATERIALS

Item	Description	Materials	
		PN40 Carbon steel	PN40 Stainless steel
1	Body	1.0619 (ASTM A216 WCB)	1.4408 (ASTM A351 CF8M)
2	Cover	1.1191 (ASTM A568)	1.4401 (AISI 316)
3	Screen	1.4301 (AISI 304)	1.4401 (AISI 316)
4	Gasket (**)	PTFE	



DIMENSIONS



Size NPS	L	H	H1	Ratio of areas (*)	Weight (Kg)	
					PN16	PN40
¼"	65	46	60	1 : 5,57	0,195	0,205
⅜"	65	46	60	1 : 3,13	0,210	0,215
½"	65	46	60	1 : 2,01	0,215	0,220
¾"	78	56	75	1 : 2,07	0,348	0,350
1"	90	68	86	1 : 1,91	0,655	0,662
1 ¼"	106	73	95	1 : 1,83	0,750	0,775
1 ½"	120	79	110	1 : 1,69	1,145	1,15
2"	140	92	130	1 : 1,49	1,780	1,82

Dimensions in mm.

(*) Standard screen

SCREENS

Standard screen opening: Ø1 mm up to 2" and Ø1,5 mm from 2 ½" up to 4"

Other options: Perforated plate opening Ø1,5mm, Ø3mm, Ø5mm y Ø8mm or wire mesh with 0,5mm, 0,3mm, 0,1mm and 0,04 mm opening size.

OPTIONS



Jacketed strainer



Flanged ends
(see SERIES 112 and 113)



Fabricated Strainers for bigger sizes
than DN250 (see SERIES 114 and 115)

Note: For further technical information, pressure drop, etc. please consult our data sheet **DAT111**